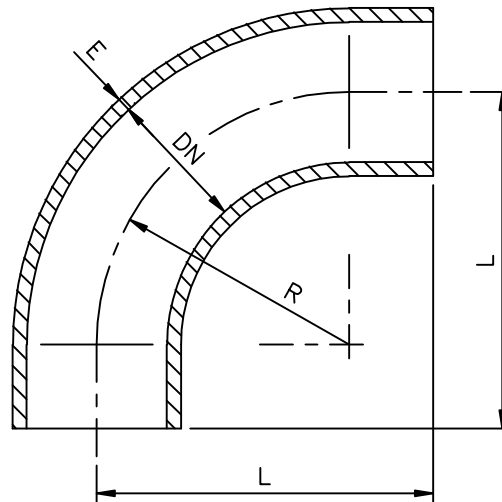


# CODOS 90° EN PRFV



PRFV



DN	R	L	ESPESOR "E"				
			PN2.5	PN4	PN6	PN10	PN16
25	50	110	5.0	5.0	5.0	5.0	5.0
32	75	130	5.0	5.0	5.0	5.0	5.0
40	90	150	5.0	5.0	5.0	5.0	5.0
50	120	180	5.0	5.0	5.0	5.0	6.0
65	120	140	5.0	5.0	5.0	5.0	6.5
80	120	165	5.0	5.0	5.0	5.0	6.0
100	150	205	5.0	5.0	5.0	5.5	7.0
125	185	245	5.0	5.0	5.0	6.0	8.0
150	225	285	5.0	5.0	5.0	6.5	9.0
200	300	365	5.0	5.0	6.0	8.0	10.5
250	375	450	5.0	5.0	6.5	9.0	13.0
300	450	525	5.0	5.5	7.5	10.5	15.0
350	525	600	5.0	6.0	8.0	11.5	17.5
400	600	680	5.5	6.5	9.0	13.0	19.5
450	675	750	5.5	7.5	10.0	14.5	21.5
500	750	830	6.0	8.0	10.5	15.5	23.5
600	900	950	6.5	9.0	12.0	18.0	—
700	1050	1100	7.0	10.0	13.5	20.5	—
800	1200	1250	8.0	11.0	15.0	22.5	—
900	1350	1400	8.5	12.0	16.5	26.0	—
1000	1500	1500	9.0	13.0	18.0	28.5	—

4/04 FT111

DN: Diametro Nominal = Diametro Interior, en mm.  
 AC: Barrera Anticorrosion Interna de 2.5 mm  
 Inf. bajo reserva de cambios sin previo aviso.

PN: Presion Nominal en kg/cm<sup>2</sup>  
 Cotas: Expresadas en mm.

OLLEARIS S.A. Telf. +34.935796520 Fax. 34.935933616  
 E-mail. ollesa@ollearis.org Web. <http://www.ollearis.org>