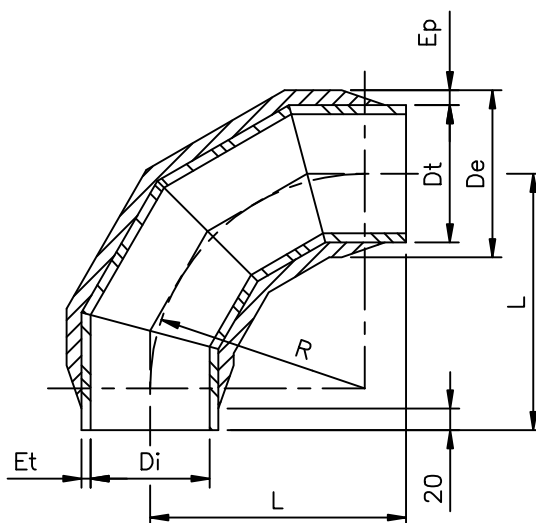


CODO DUAL 90° PN 10
TERMOPLASTICO REFORZADO CON PRFV
REFUERZO PRFV MANUAL
CON ANTICORROSION PPH



PPH + PRFV

| DN | R | L | De | Di | PPH Dt | PPH Et | PRFV Ep |
|-----|-----|-----|-------|-------|-----------|-----------|------------|
| 25 | 50 | 110 | 38.4 | 26 | 32 | 3 | 3.2 |
| 32 | 75 | 130 | 46.4 | 32.6 | 40 | 3.7 | 3.2 |
| 40 | 90 | 150 | 56.4 | 40.8 | 50 | 4.6 | 3.2 |
| 50 | 120 | 180 | 69.4 | 55.8 | 63 | 3.6 | 3.2 |
| 65 | 120 | 140 | 83.4 | 66.4 | 75 | 4.3 | 4.2 |
| 80 | 120 | 165 | 100.4 | 83 | 90 | 3.5 | 5.2 |
| 100 | 150 | 205 | 120.4 | 101.4 | 110 | 4.3 | 5.2 |
| 125 | 185 | 245 | 134.4 | 115.2 | 125 | 4.9 | 4.7 |
| 150 | 225 | 285 | 170.4 | 152.2 | 160 | 3.9 | 5.2 |
| 200 | 300 | 365 | 212.2 | 190.2 | 200 | 4.9 | 6.2 |
| 250 | 375 | 450 | 265.4 | 237.8 | 250 | 6.1 | 7.7 |
| 300 | 450 | 525 | 333.4 | 299.6 | 315 | 7.7 | 9.2 |
| 350 | 525 | 600 | 376.4 | 337.6 | 355 | 8.7 | 10.7 |
| 400 | 600 | 680 | 423.4 | 380.4 | 400 | 9.8 | 11.7 |
| 500 | 750 | 830 | 527.4 | 476 | 500 | 12 | 13.7 |

4/04 FT152

DN: Diametro Nominal, en mm.
 Inf. bajo reserva de cambios sin previo aviso.

PN: Presion Nominal en kg/cm²
 Cotas: Expresadas en mm.

OLLEARIS S.A. Telf. +34.935796520 Fax. 34.935933616
 E-mail. ollesa@ollearis.org Web. <http://www.ollearis.org>