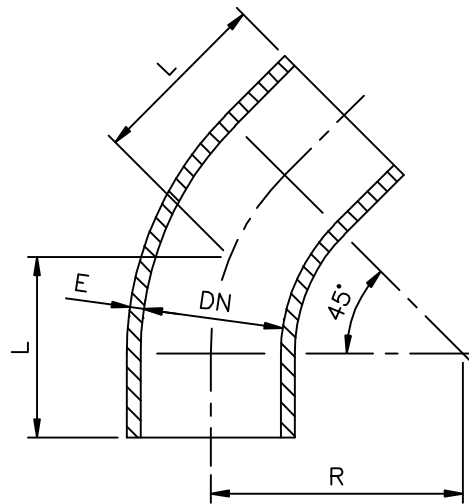


CODOS 45° EN PRFV



PRFV



DN	R	L	ESPESOR "E"				
			PN2.5	PN4	PN6	PN10	PN16
25	50	70	5.0	5.0	5.0	5.0	5.0
32	75	80	5.0	5.0	5.0	5.0	5.0
40	90	90	5.0	5.0	5.0	5.0	5.0
50	120	105	5.0	5.0	5.0	5.0	6.0
65	120	85	5.0	5.0	5.0	5.0	6.5
80	120	100	5.0	5.0	5.0	5.0	6.0
100	150	115	5.0	5.0	5.0	5.5	7.0
125	185	135	5.0	5.0	5.0	6.0	8.0
150	225	150	5.0	5.0	5.0	6.5	9.0
200	300	190	5.0	5.0	6.0	8.0	10.5
250	375	225	5.0	5.0	6.5	9.0	13.0
300	450	260	5.0	5.5	7.5	10.5	15.0
350	525	290	5.0	6.0	8.0	11.5	17.5
400	600	325	5.5	6.5	9.0	13.0	19.5
450	675	360	5.5	7.5	10.0	14.5	21.5
500	750	390	6.0	8.0	10.5	15.5	23.5
600	900	430	6.5	9.0	12.0	18.0	—
700	1050	490	7.0	10.0	13.5	20.5	—
800	1200	545	8.0	11.0	15.0	22.5	—
900	1350	605	8.5	12.0	16.5	26.0	—
1000	1500	660	9.0	13.0	18.0	28.5	—

4/04 FT110

DN: Diametro Nominal = Diametro Interior, en mm.

AC: Barrera Anticorrosion Interna de 2.5 mm

Inf. bajo reserva de cambios sin previo aviso.

PN: Presion Nominal en kg/cm²

Cotas: Expresadas en mm.

OLLEARIS S.A. Telf. +34.935796520 Fax. 34.935933616

E-mail. ollesa@ollearis.org Web. <http://www.ollearis.org>